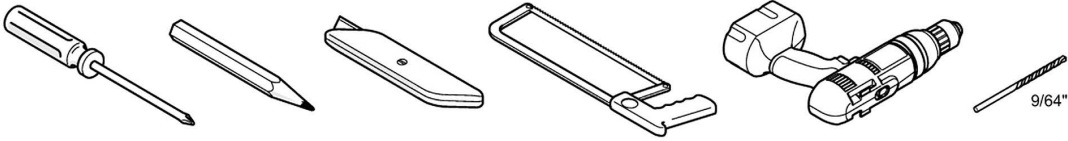


Top Feed Module Installation Instructions

Tools Required



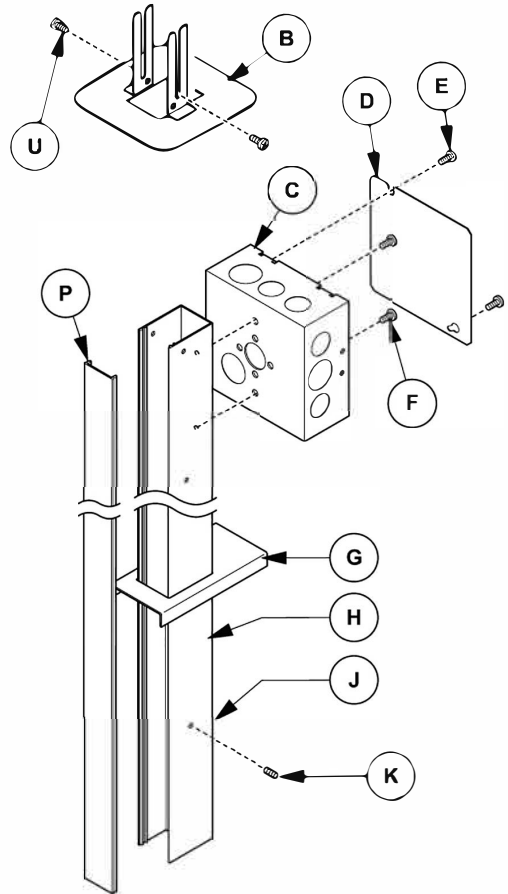
WARNING: Do not electrically interconnect modular power distribution systems powered from two different power feed units. This poses a **SHOCK HAZARD** to service personnel and will cause **RISK OF FIRE** due to excessive circulating currents.

WARNING: All circuit power **MUST REMAIN DISCONNECTED** during any installation or removal of electrical components and raceway covers to avoid **SHOCK HAZARDS**.

WARNING: Risk of fire or electric shock. Complete all drilling before installing electrical or communication wiring.



NOTE: Connections of this modular power distribution component **MUST** be done by a licensed electrician, who must control the size and loading of each branch circuit. The person or group installing Haworth products is responsible for complying with all applicable building and electrical code requirements.

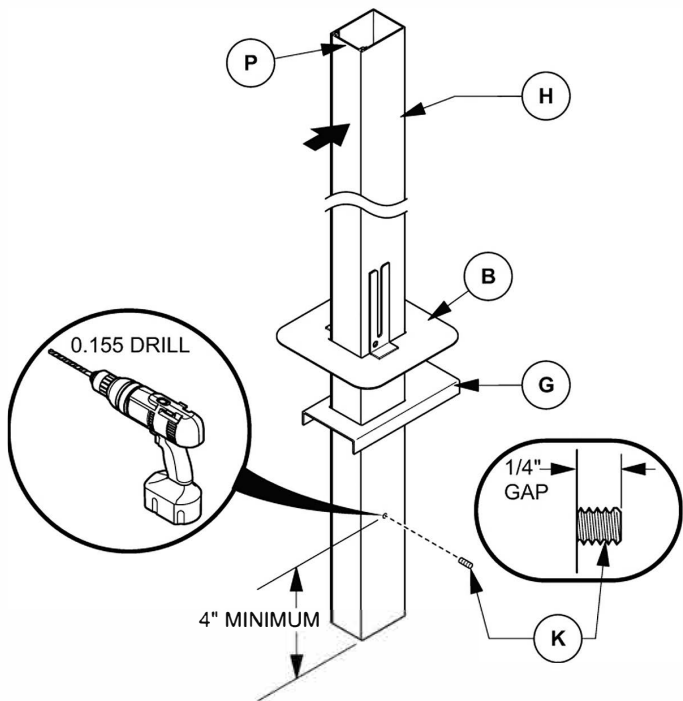
CAUTION: Top feed must be secured to building.



1

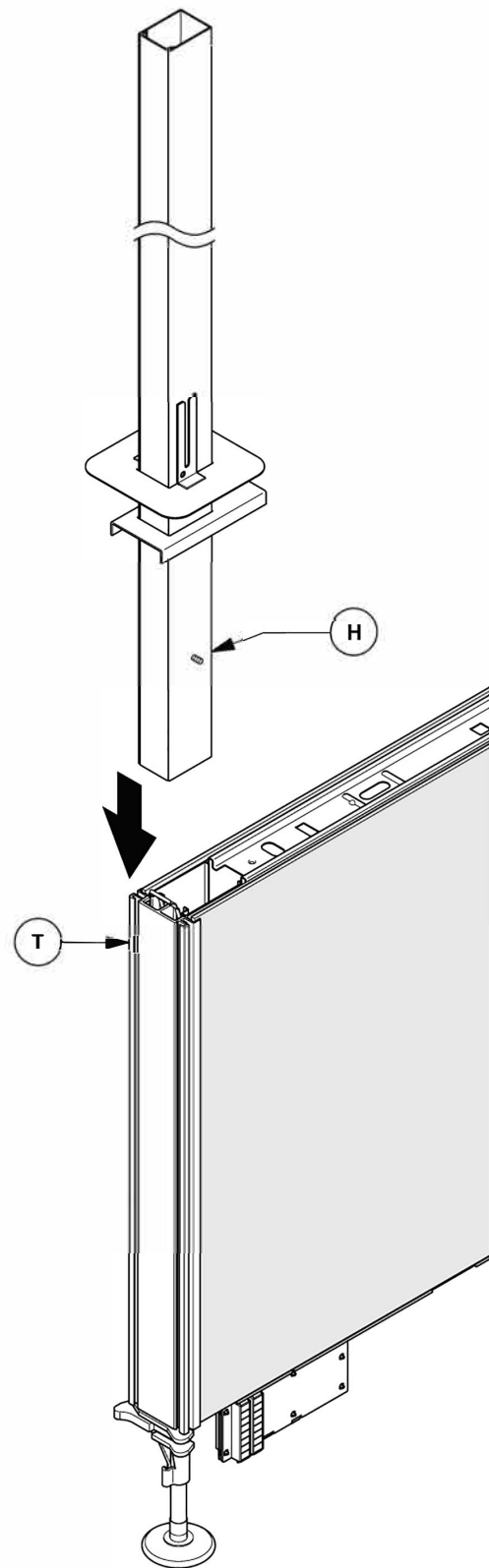
Install end cover (P)

(K)  
#10-24 x 1/2" Set Screw

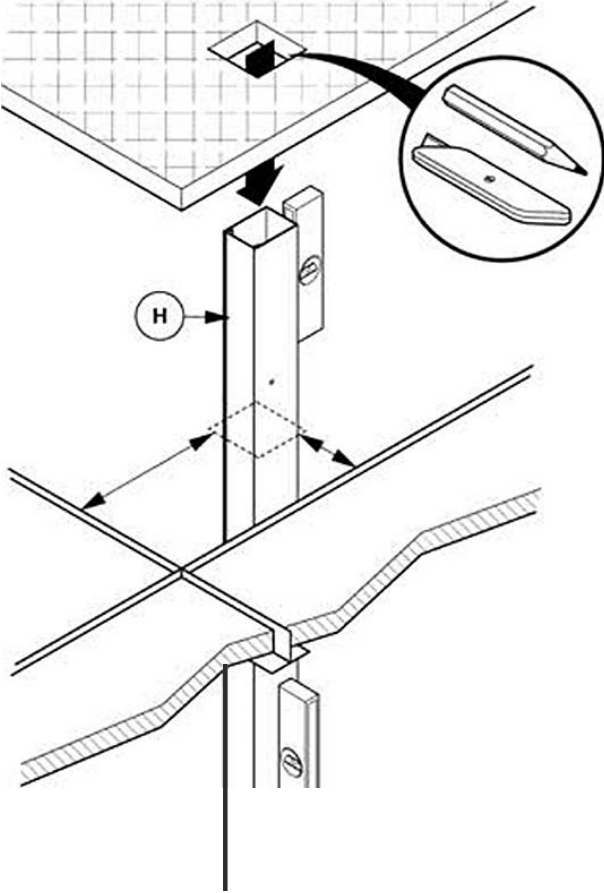


3

Install pole (H) into panel (T)

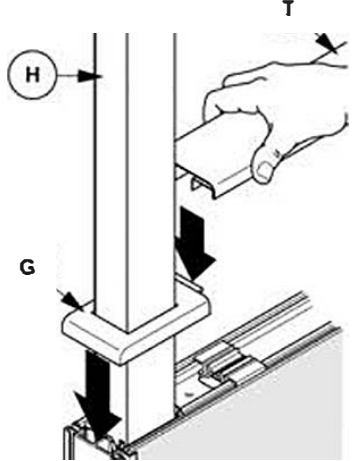
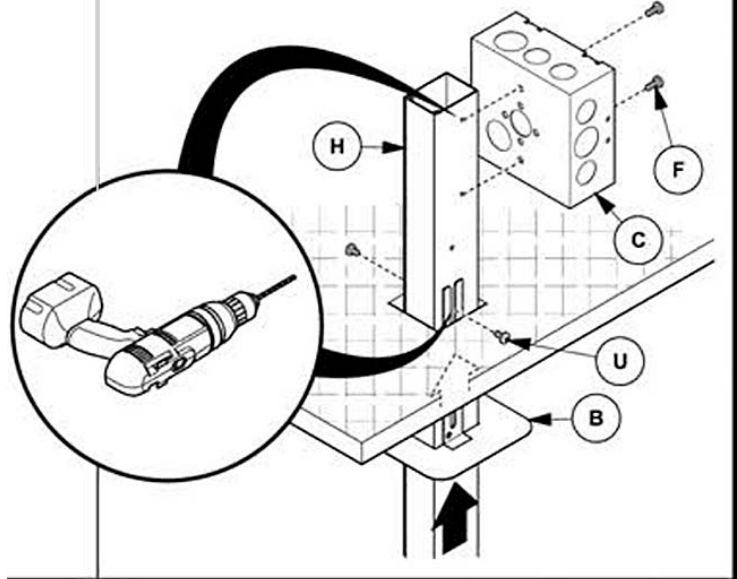


4 Plumb pole (H) and locate and cut a hole in ceiling tile



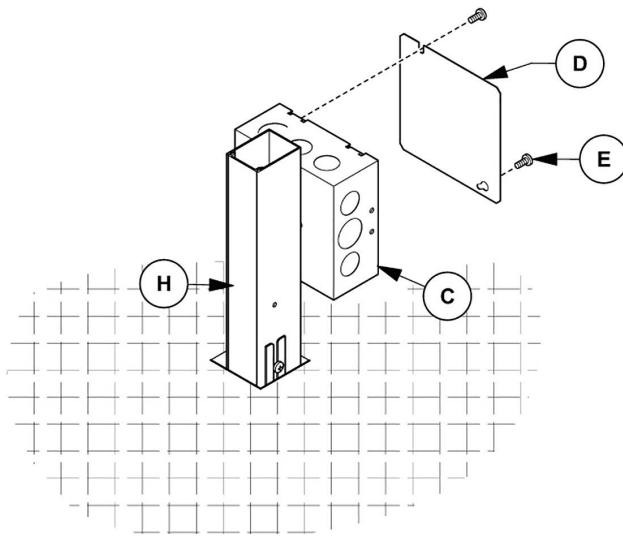
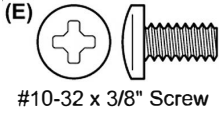
5 Install electrical box (C)

6 Install ceiling bezels (A & B)



8

Install electrical box cover (D)



9

Tie top feed (H) to building

