

Bulletin: RSI Echo Systems now offers a Sliding Panel Door



The Sliding Panel door meets the need to create privacy without the hassle of redesigning an entire office. Echo Systems can now provide this addition to workstations with 62" or 66" high panels at a fraction of the cost of the standard swinging door. The Sliding Panel Door is 48" wide to accommodate a recommended 36" wide opening. Standard trim colors are Smoke, Sand, Graphite, and Charcoal. The design of this new door offers a contemporary and functional solution for any office.



Insert Options:

-Standard Plexiglas™
(Frosted as shown)

Standard Sizes:

-48"W x 62"H

-48"W x 66"H

-48"W x 80"H

Recommended for 36"W
opening

Custom sizes available



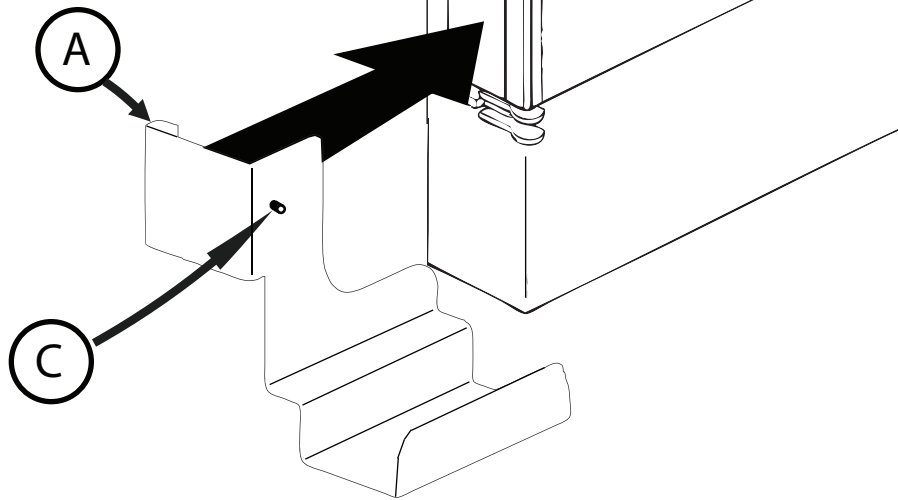
Contact us today to learn more about RSI Echo
Systems new Sliding Panel Door.

1 800 280 5000

Echo Systems Sliding Glass Door: Installation

1

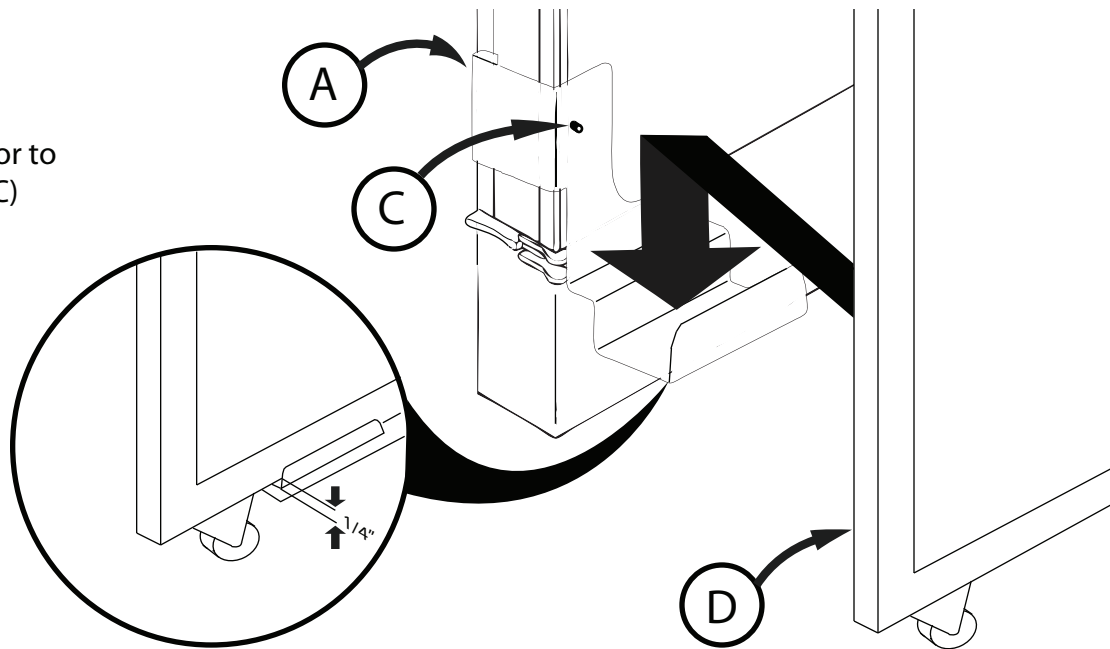
Install bottom bracket (A)



2

Install Door (D)

Position the bracket to allow the door to roll on the floor. Tighten set screw (C) once bracket (A) is properly aligned.



3

Install top bracket (B)

Tighten set screw (C) once bracket (B) is in position. Test the movement of the door and make any necessary adjustments.

