

XE-TFM-EOR-47-10-144	
CONNECTING POST LENGTH:	47"
TOP POST LENGTH:	73"
INFEED LENGTH:	144"

PART NUMBER EXAMPLE

TIP:

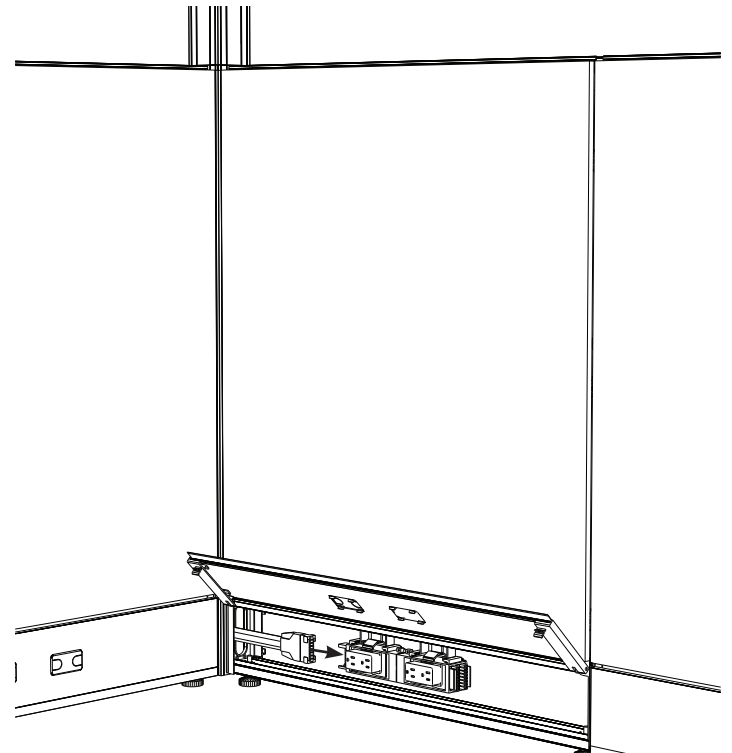
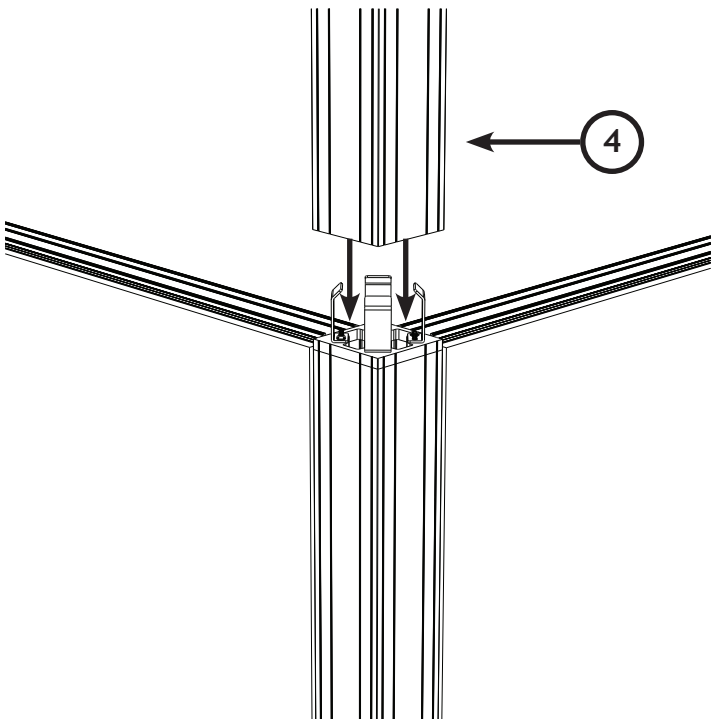
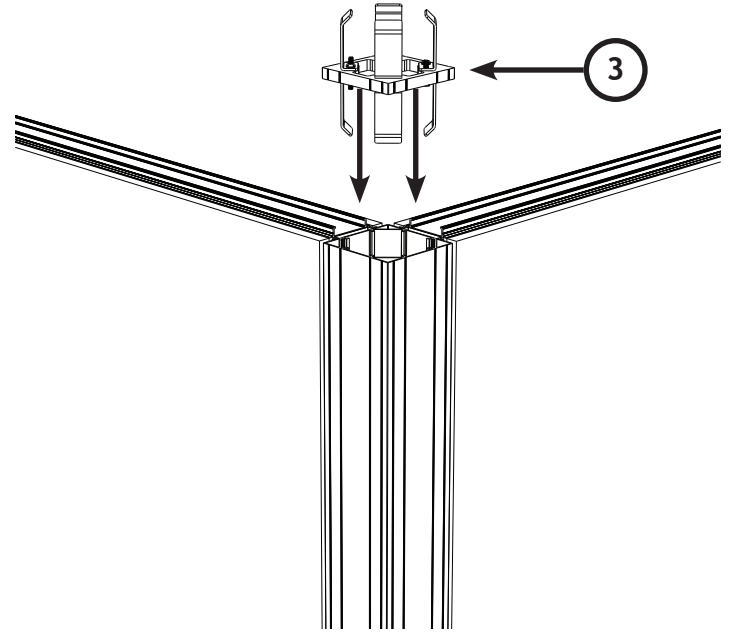
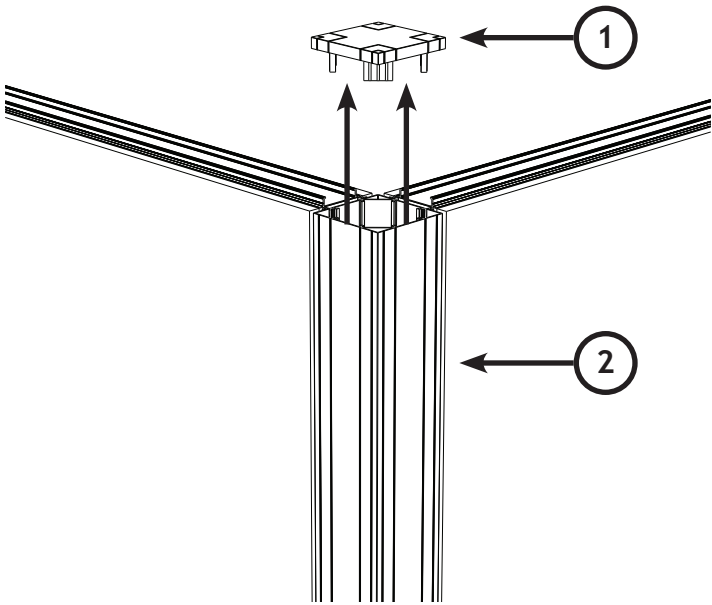
- REFER TO PAGE-19 FOR THE INFEED WIRING DIAGRAM

PARTS:

1. X3 POST TOP CAP
2. END-OF-RUN POST
3. TFM POST CONNECTOR
4. TFM TOP SLEEVE

WARNING:

- YOU MIGHT BE REQUIRED TO JUMP A PANEL PRIOR TO PLUGGING THE INFEED INTO THE POWER BLOCK IF YOU HAVE 180" TOP-FEED WHIPS
- TOP SLEEVE LENGTH DEPENDS ON THE POST HEIGHT IT IS CONNECTING TO



X3-TFM-65-10-180	
CONNECTING POST LENGTH:	65"
TOP POST LENGTH:	55"
INFEEED LENGTH:	180"

PART NUMBER EXAMPLE

TIP:

- REFER TO PAGE-19 FOR THE INFEEED WIRING DIAGRAM

PARTS:

1. X3 POST TOP CAP
2. 2-WAY / 3-WAY / 4-WAY POST
3. TFM POST CONNECTOR
4. TFM TOP SLEEVE

WARNING:

- YOU MIGHT BE REQUIRED TO JUMP A PANEL PRIOR TO PLUGGING THE INFEEED INTO THE POWER BLOCK IF YOU HAVE 180" TOP-FEED WHIPS
- TOP SLEEVE LENGTH DEPENDS ON THE POST HEIGHT IT IS CONNECTING TO