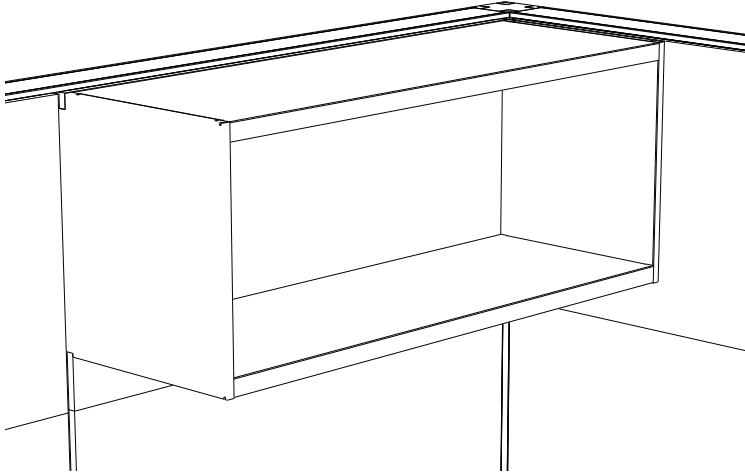


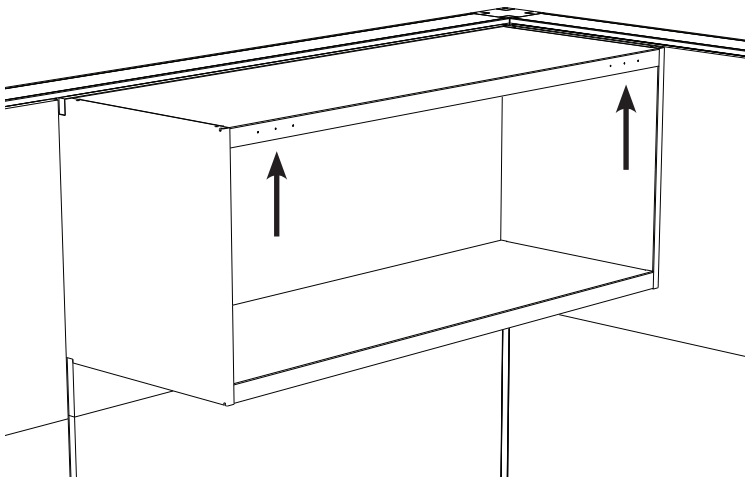
PARTS:

- 1. Pre-Mounted Phillips-Head Shelf End Screw

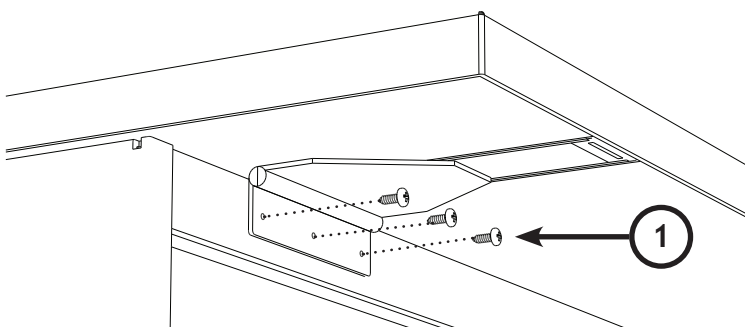
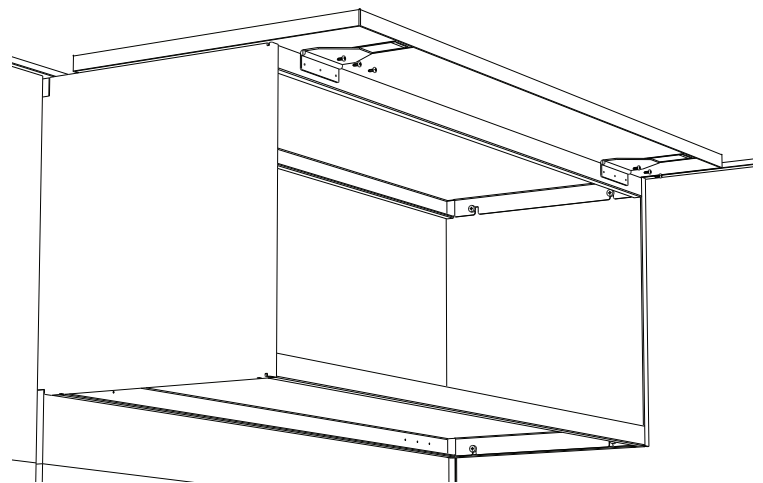


- HOLES ON SHELF PANS SHOULD BE AGAINST THE PANEL

FULL-HEIGHT SHELF W/ FLIPPER DOOR



- HOLES ON SHELF PAN SHOULD BE ON THE OUTSIDE ON THE TOP ONLY



PARTS:

1. #8 x .625" PHILLIPS SCREW (Fig: 5.08)