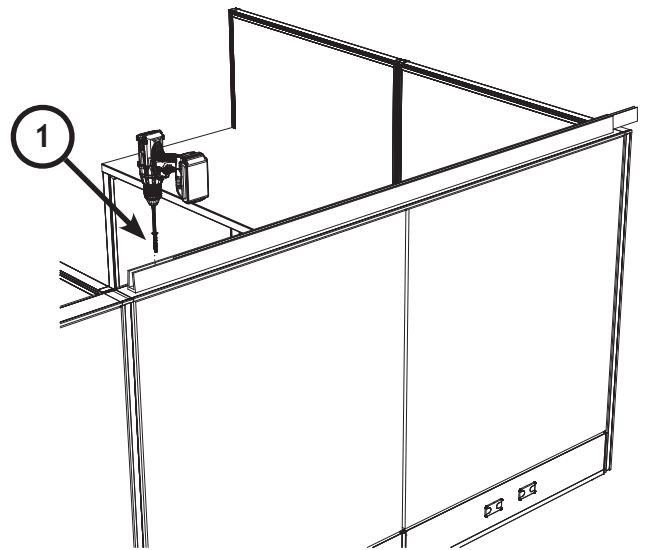
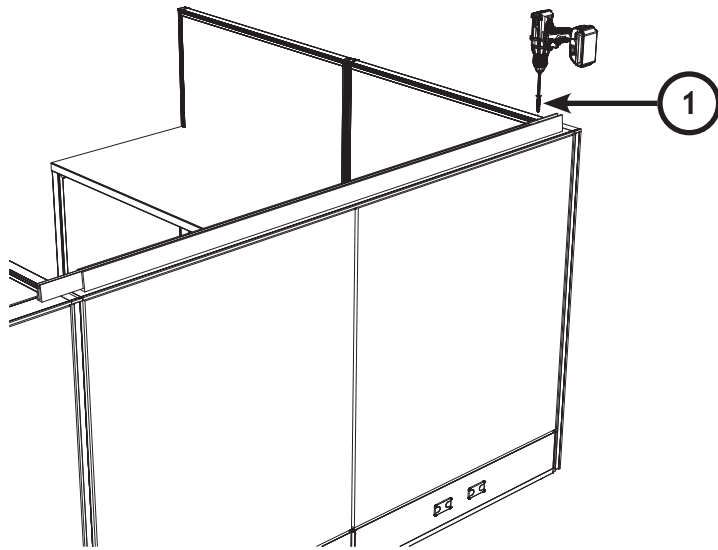


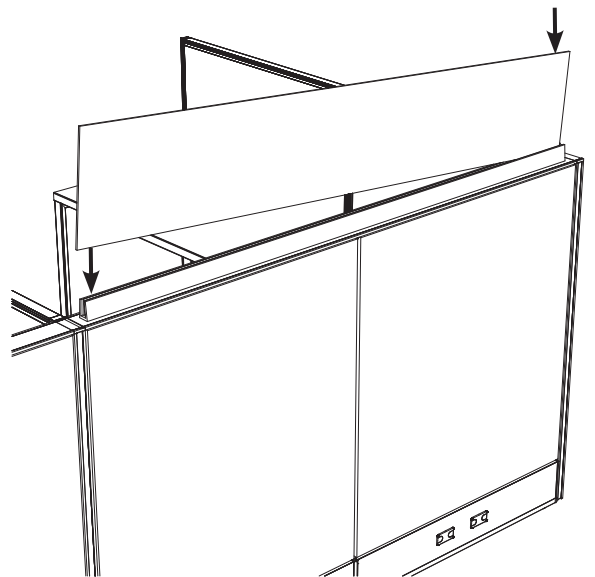
- CENTER BRACKET ON TOP CAP



- SLIDE INTERIOR SLEEVE TO ONE SIDE TO ACCESS COUNTERSUNK HOLE



- SLIDE INTERIOR SLEEVE TO OTHER SIDE TO ACCESS OPPOSITE HOLE



- CAREFULLY SLIDE GLASS IN STARTING AT ONE END

### PARTS:

1. #10 x 2" Self-Tap Phillips Screw (Fig: 5.05)

### TIPS:

- PROTECT THE CORNERS OF THE GLASS AT ALL TIMES TO PREVENT CHIPPING
- USE EXTRA LONG DRILL BIT TO FIT BETWEEN FRAMELESS GLASS BRACKET