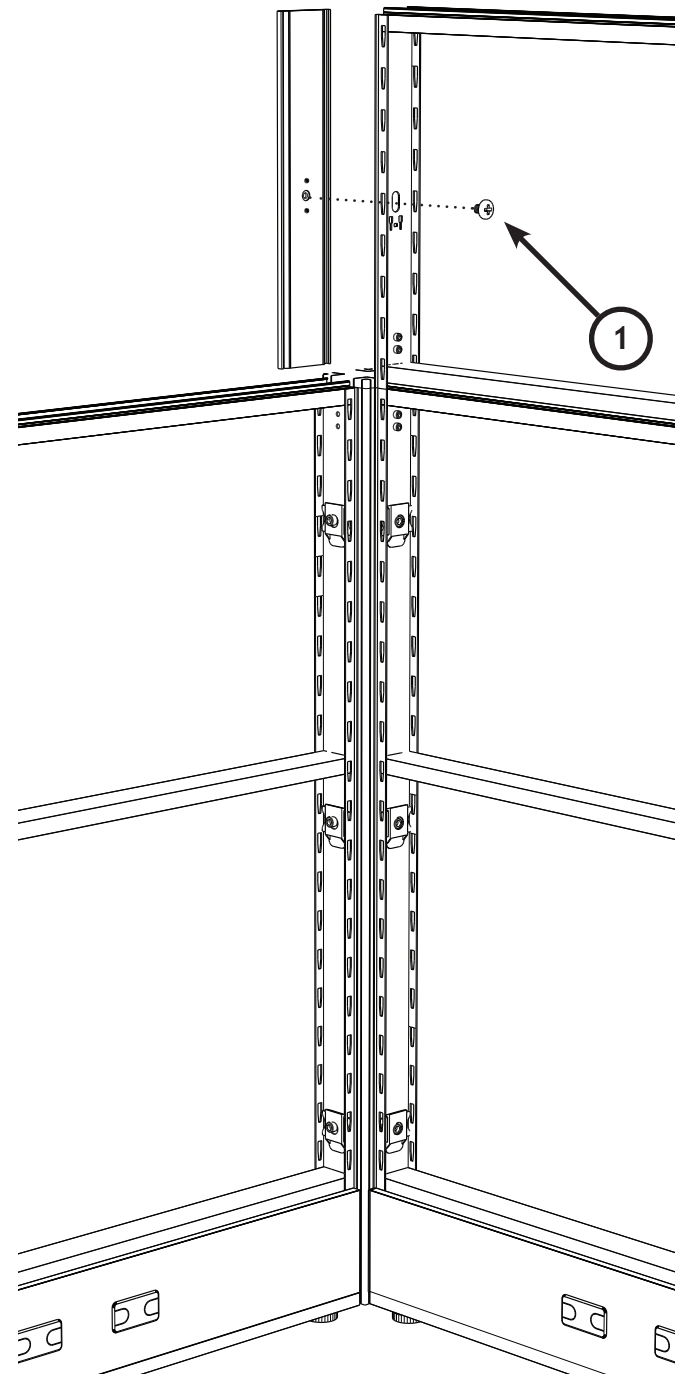
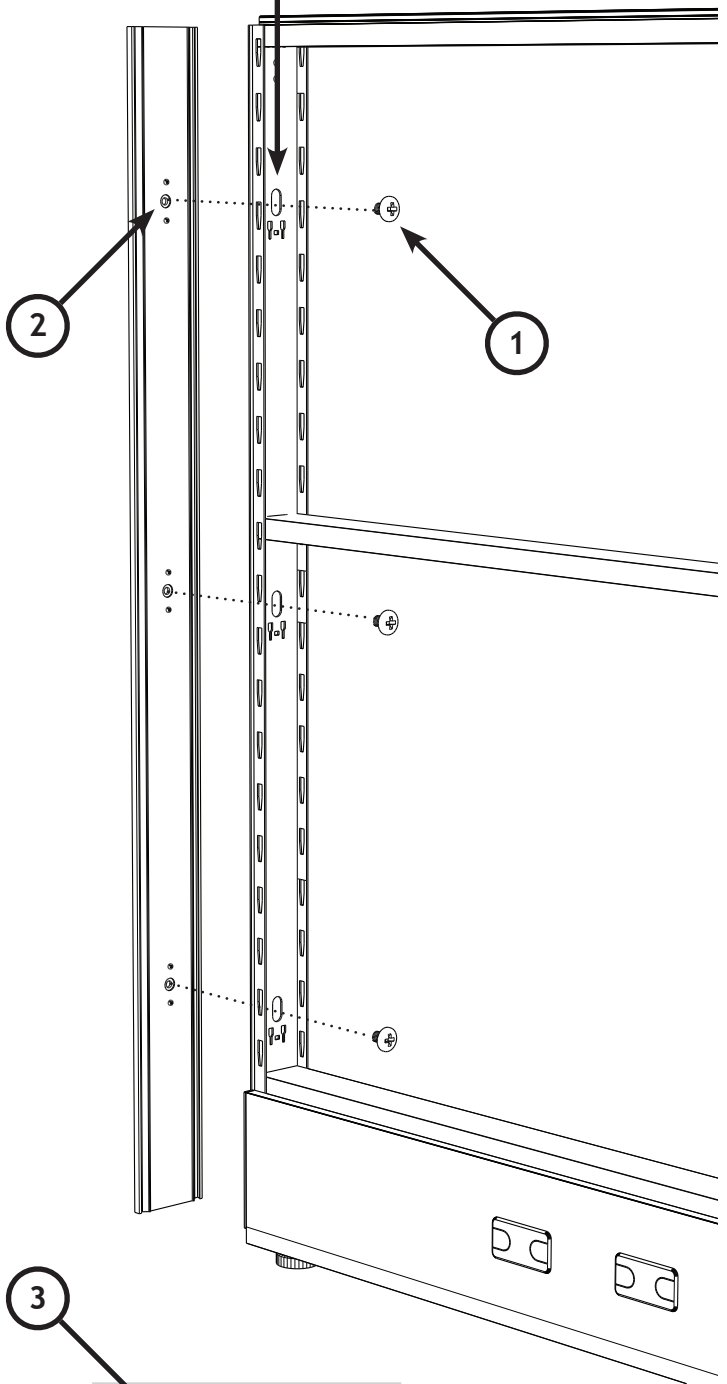


REMOVE BRACKETS



PARTS:

- 1. M8 x 12mm PHILLIPS SCREW (FIG: 5.04)
- 2. PRE-MOUNTED CON-A (FIG: 5.11)
- 3. X3 END TRIM TOP CAP TRANSITION

WARNING:

- PRE-MOUNTED CON-A / CON-B BRACKETS MUST BE REMOVED PRIOR TO INSTALLING M8 x 12mm PHILLIPS SCREW TO X3 END TRIM
- END TRIM TRANSITION PIECE SHOULD BE INSTALLED WHILE CONNECTING THE TOP CAP TO THE PANEL