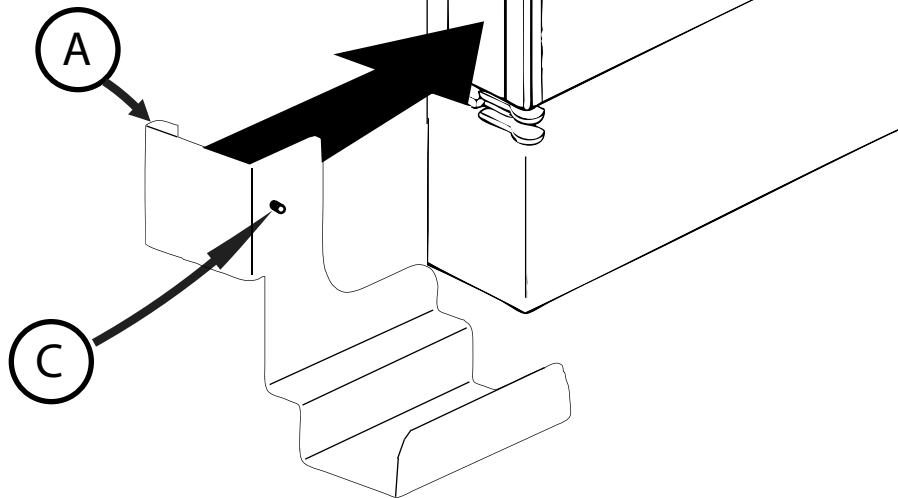


Echo Systems Sliding Glass Door: Installation

1

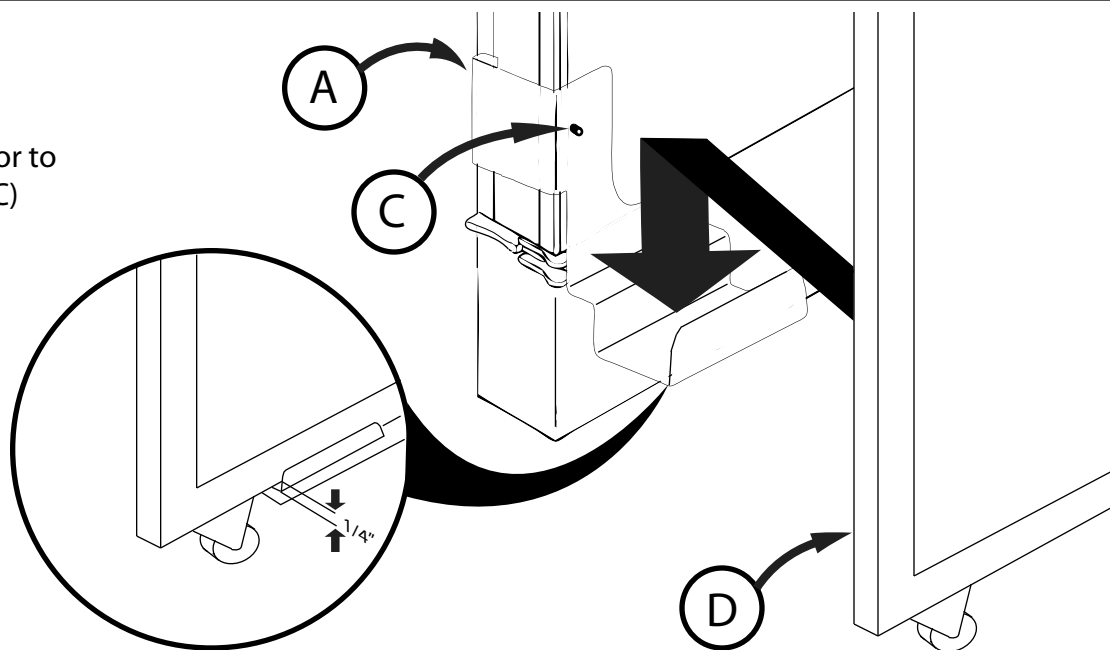
Install bottom bracket (A)



2

Install Door (D)

Position the bracket to allow the door to roll on the floor. Tighten set screw (C) once bracket (A) is properly aligned.



3

Install top bracket (B)

Tighten set screw (C) once bracket (B) is in position. Test the movement of the door and make any necessary adjustments.

